

GM7

AC Asynchronous Servo (Spindle)Motor

2.2KW-75KW

Brief Introduction

It can adapt with lots of variable types high performance inverters or spindle drivers. It can be used on both Close loop or Open loop system. The performance is absolutely different with normal inverter motor. It is used on numerical machine tools. Building material machinery, plastic machinery, textile machinery, heavy industry, such as metal, etc.

GM7 inverter (spindle) motor, it is composed with stator, rotors, low noise force cooling fan, high resolution encoder (no necessary under open loop control). It is optimized in structure design, optimized in magnet route design. The features are as follows:

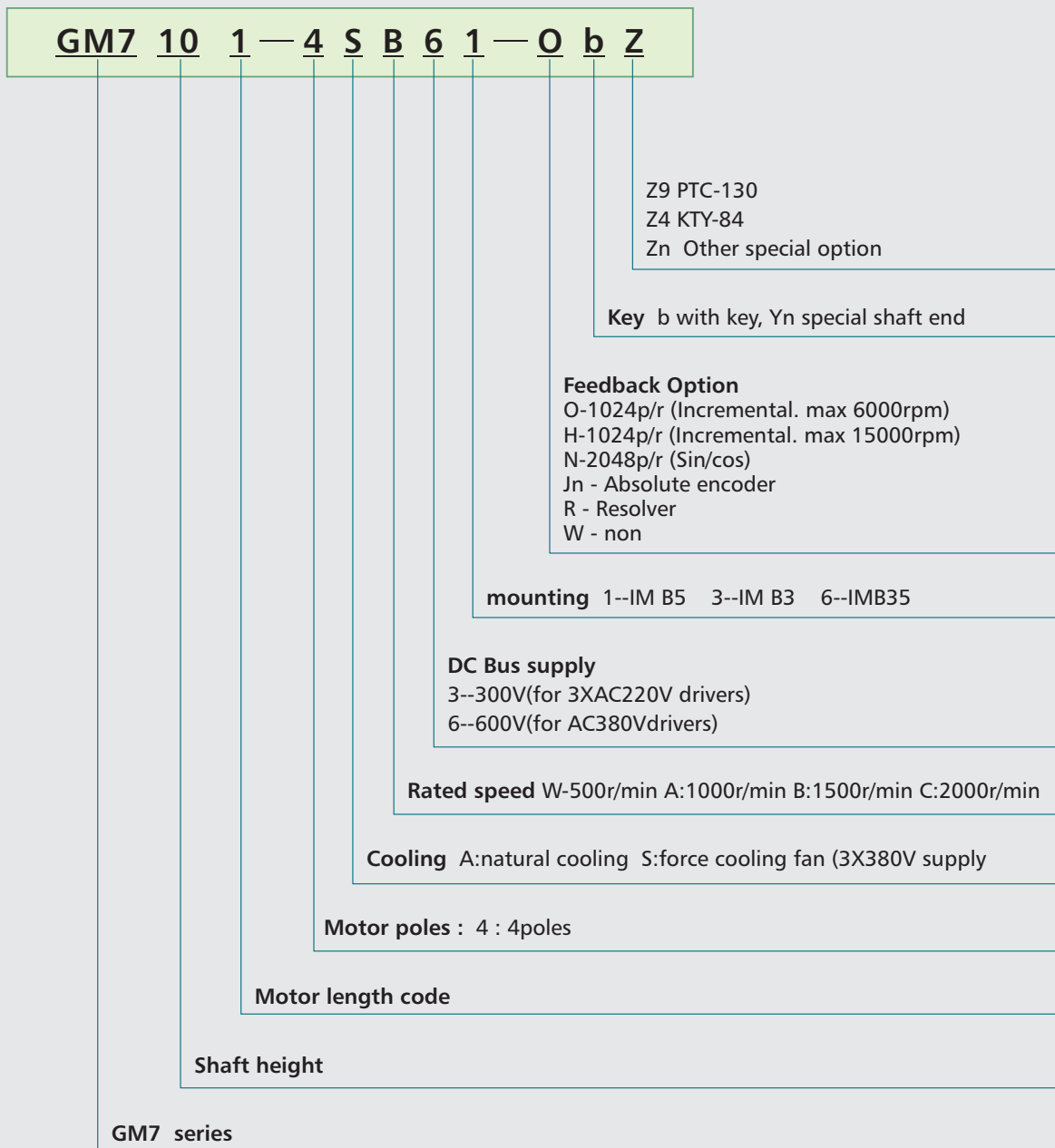
Features

- compact design, smaller body, lighter weight, high energy density
- Special design for electronics-magnet vibration, low noise, high rotation resolution, enough constant speed range and constant power range
- low inertia high response
- Even air-gap, high balancing resolution, low torque wave
- Full sealed design, Protection Class : Ip54
- Special Class F insulation, anti surge current & corona.
- Robust, durable, reliable;
- Good price based on strong performance.

Technical Specification

Motor Type	Inverter (spindle motor)(AC induction motor)
Insulation Class	Class F, Special insulation design
Feed Back	Incremental & Sin/Cos, Resolver
Temperature protection	PTC positive coefficient temperature sensor
Force cooling fan Encoder connection	Terminal box Circle plug and socket
Mounting Protection Class Cooling Painting	IM B5、IM B3、IM B35 IP54 Optional : IP55 Force cooling fan Gray without gloss, other: optional
Bearing Shaft end	Deep groove ball bearing, seals on both sides Standard : with keyway and key, or according customer requirement
Vibration class Rotation resolution	Class N optional : Class R Class N optional : Class R
Noise	Shaft height 100-132 ≤70dB(A) Shaft height 180 ≤76dB(A)

Type Code



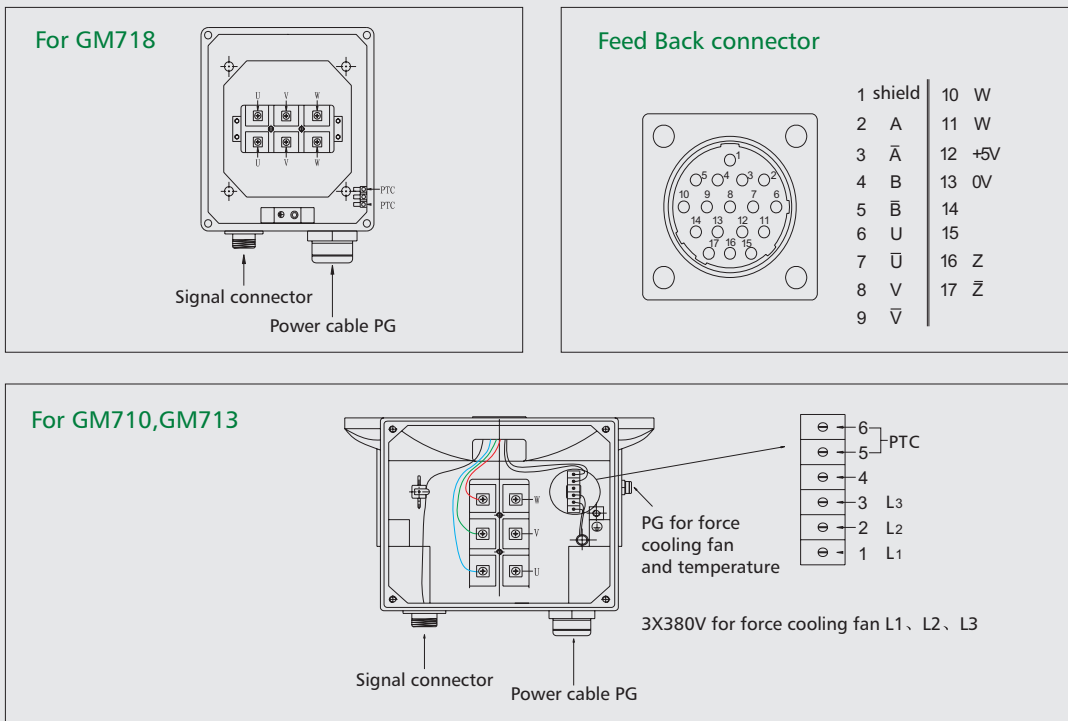
Technique Data

Type	PN Kw	Mn Nm	IN A	nN rpm	Max speed rpm	inertia Kgm ²	weight Kg
GM7100-4SB61	2.2	14	6	1500	6000/9000	0.015	25
GM7101-4SB61	3.7	23.6	10	1500	6000/9000	0.015	25
GM7102-4SB61	3.0	19.1	8	1500	6000/9000	0.015	25
GM7103-4SA61	3.7	35.3	17.8	1000	6000/9000	0.020	35
GM7103-4SB61	5.5	35	13	1500	6000/9000		
GM7103-4SC61	7.5	35.8	18.8	2000	6000/9000		
GM7105-4SB61	7.5	47.8	18.8	1500	6000/8000	0.027	46
GM7107-4SA61	6.3	60.2	23.6	1000	6000/8000	0.032	55
GM7107-4SB61	9	57.3	23.5	1500	6000/8000		
GM7107-4SC61	10.5	50.1	26	2000	6000/8000		
GM7109-4SB61	11	70	25	1500	6000/8000	0.037	64
GM7130-4SB61	5.5	35	13	1500	6000/8000	0.042	78
GM7131-4SB61	11	70	24	1500	6000/8000	0.076	93
GM7132-4SB61	7.5	47.8	18.8	1500	6000/8000	0.042	78
GM7133-4SA61	12	114.6	38	1000	6000/8000	0.076	93
GM7133-4SB61	15	95.5	34	1500	6000/8000		
GM7133-4SC61	20	95.5	42	2000	6000/8000		
GM7135-4SB61	18.5	117.8	38	1500	6000/8000	0.109	133
GM7137-4SA61	17	162.3	40	1000	6000/8000	0.109	133
GM7137-4SB61	22	140.1	46	1500	6000/8000		
GM7137-4SC61	28	133.7	57	2000	6000/8000		
GM7181-4SW61	12	229.2	30	500	6500	0.3	310
GM7181-4SA61	22	210.1	55	1000	6500		
GM7181-4SB61	30	191	64	1500	6500		
GM7183-4SW61	16	305.6	49	500	6500	0.37	336
GM7183-4SA61	28	267.4	64	1000	6500		
GM7183-4SB61	37	235.5	82	1500	6500		

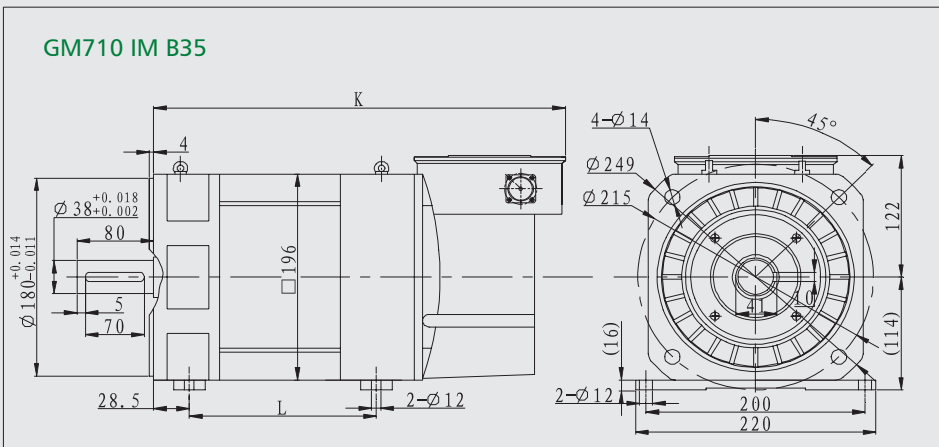
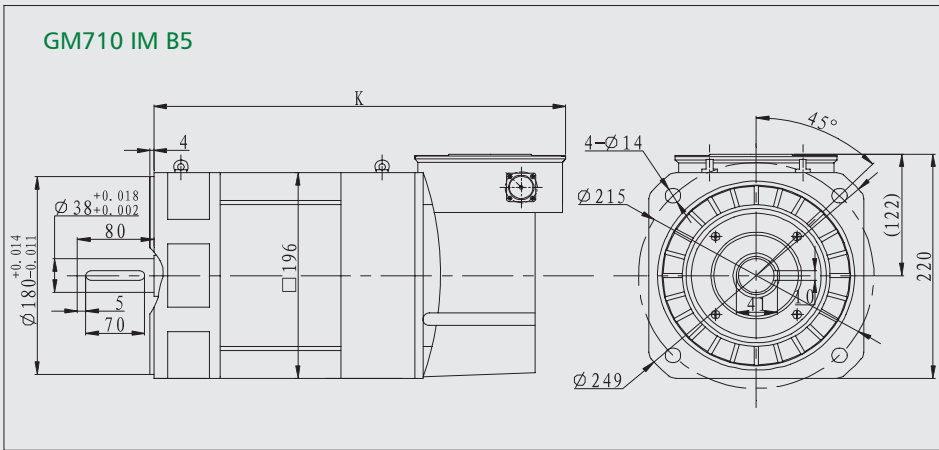
Technique Data

Type	PN Kw	Mn Nm	IN A	nN rpm	Max speed rpm	inertia Kgm ²	weight Kg
GM7185-4SW61	22	420	116	500	5000	0.45	390
GM7185-4SA61	39	372	90	1000	5000		
GM7185-4SB61	51	325	108	1500	5000		
GM7187-4SW61	30	573	69	500	5000	0.67	460
GM7187-4SA61	51	487	149	1000	5000		
GM7187-4SB61	65	414	135	1500	5000		
GM7189-4SW61	36	688	122	500	5000	0.77	499
GM7189-4SA61	60	573	132	1000	5000		
GM7189-4SB61	75	478	157	1500	5000		

Terminal box

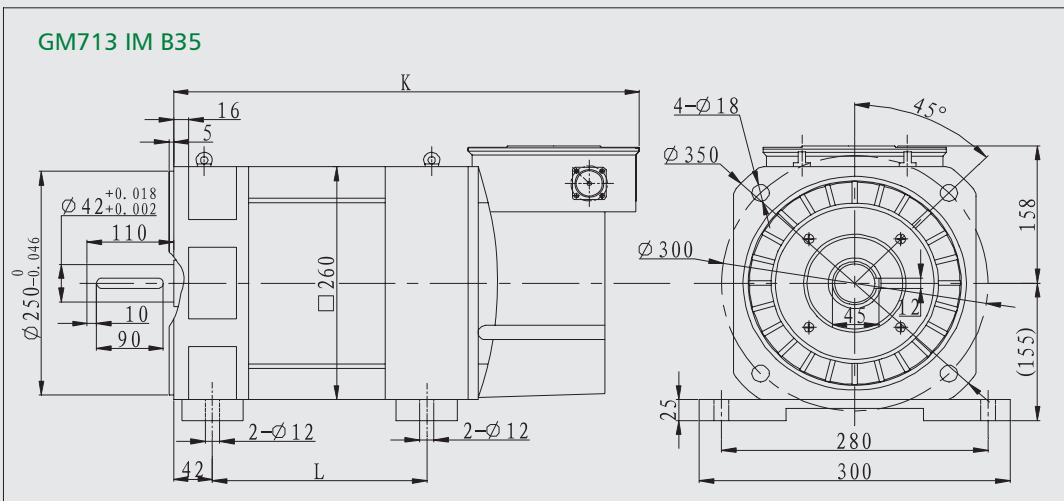
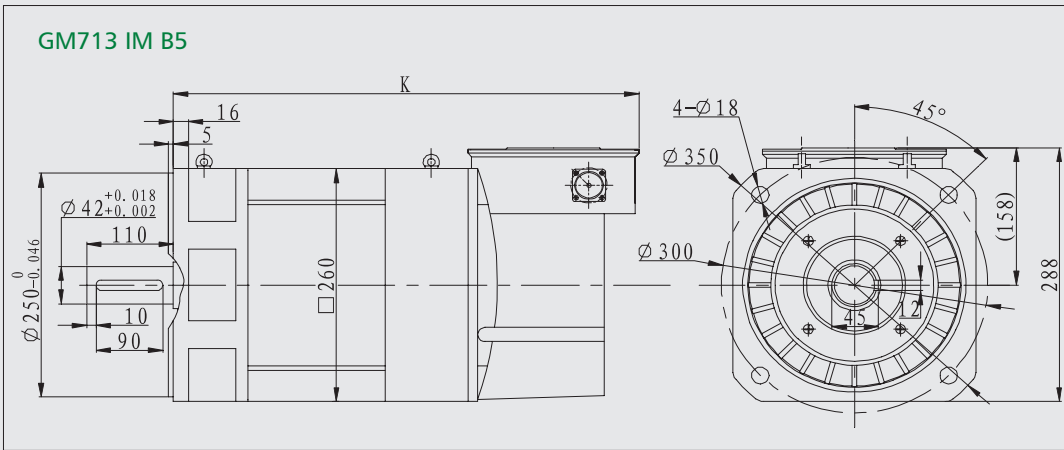


Dimension



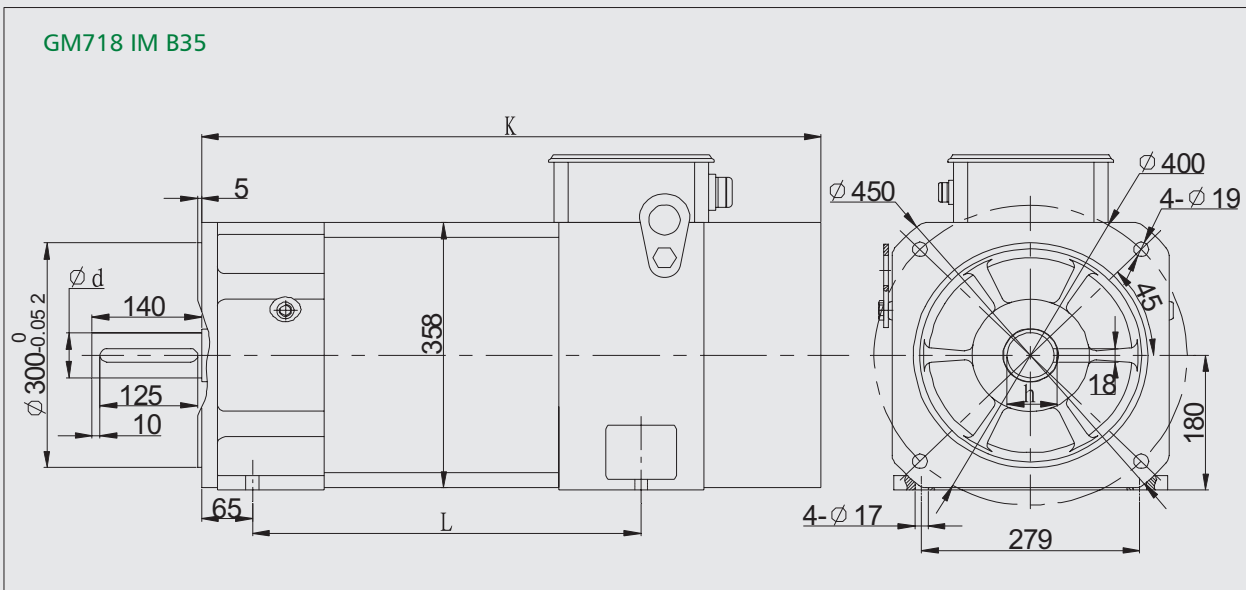
Type	K(mm)	L(mm) for B35 only
GM7100	369.5	170
GM7101	369.5	170
GM7102	369.5	170
GM7103	414.4	215
GM7105	464.5	265
GM7107	509.5	310
GM7109	549.5	350

Dimension



Type	K(mm)	L(mm) only for B35
GM7130	458.5	195
GM7131	538.5	275
GM7132	458.5	195
GM7133	538.5	275
GM7135	623.5	360
GM7137	623.5	360

Dimension



Type	K(mm)	L(mm) for B35 only	d(mm)	h(mm)
GM7181	703	369	60	64
GM7183	738	404	60	64
GM7185	808	474	60	64
GM7187	898	564	65	69
GM7189	948	614	65	69



HNC Automation Limited

Address: HUST Park, Miaoshan Region, East-lake Development Zone, Wuhan
Hubei province, PRC

Tel: 86-20-61082610

Fax: 86-20-61082610

Email: info@hncautomation.com

<http://www.hncautomation.com>